

alpis



Caloríficos

Legenda

Potência Nominal



Rendimento Nominal



Temperatura dos Gases de Combustão



Diâmetro do Tubo dos Gases de Combustão



Peso



Resumo

Onix 8 ED |    | 4

Onix 10 ED |    | 5

Onix 13 ED |    | 6

Stella ED |    | 7

Ónix 8 ED



Bordeaux
Ref. 0005311



Antracite
Ref. 0005313



Branco
Ref. 0005315



A+



82%



8,4 kW



80 mm

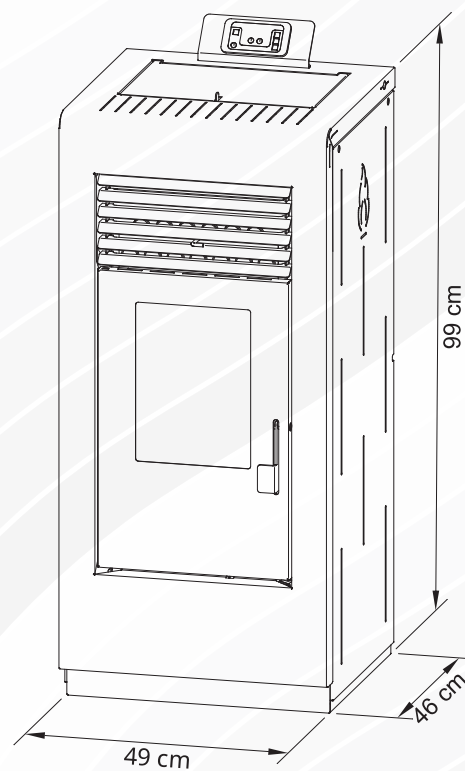


221°C



72 kg

 ECODESIGN



Ónix 10 ED

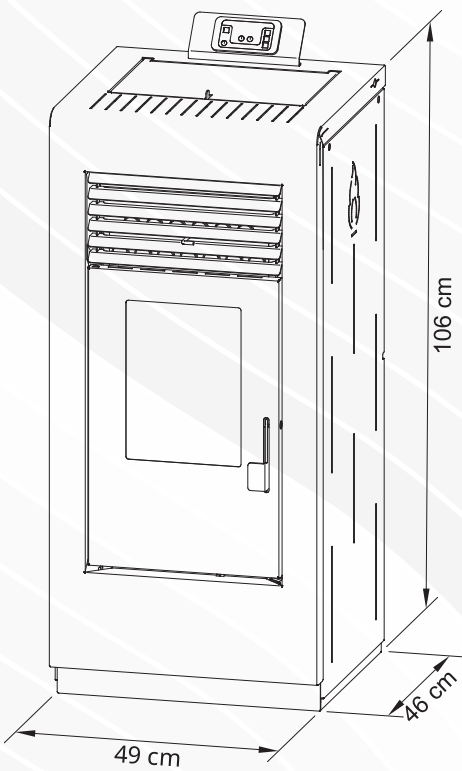
Bordeaux
Ref. 0005321



Antracite
Ref. 0005323



Branco
Ref. 0005325



A+



10 kW



85%



230°C



80 mm

 **ECODESIGN**



75 kg

Ónix 13 ED



Bordeaux

Ref. 0005331



Antracite

Ref. 0005333



Branco

Ref. 0005335



A+



85%



13 kW



80 mm

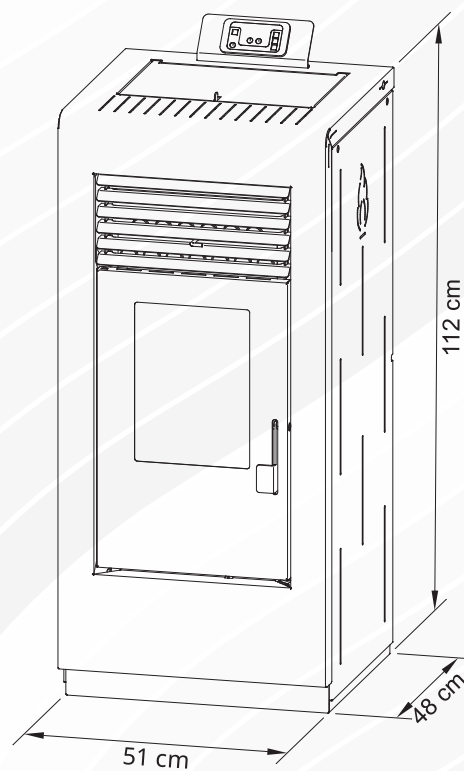


229°C



85 kg

 ECODESIGN



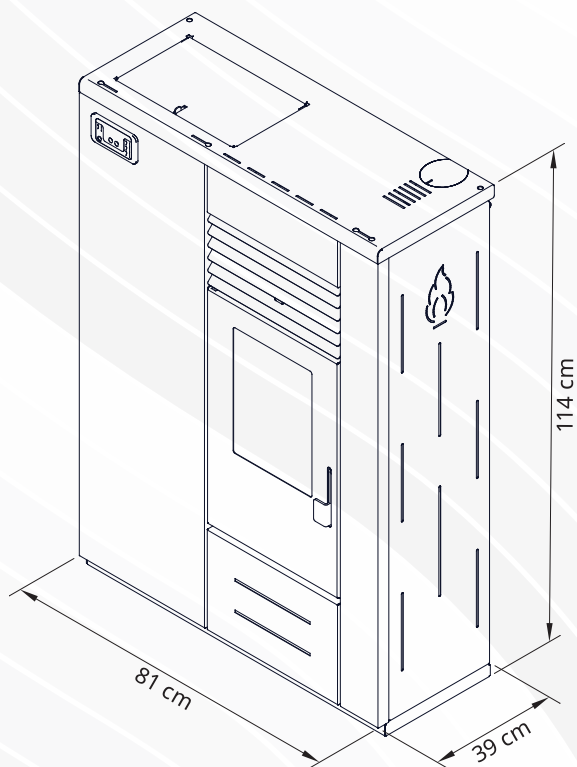
Bordeaux
Ref. 0005721



Antracite
Ref. 0005723



Bianco
Ref. 0005725



A⁺



9,7 kW



82%



247°C



80 mm

 **ECODESIGN**



84 kg



Salamandras a Lenha

Resumo

Beta ED | 10

Sigma ED | 11

Safira ED | 12

Delta ED | 13

Olivina ED | 14

Ómega ED | 15

Albita ED | 16

Opala ED | 17

Rubi ED | 18

FF 46 | 19

Beta ED



Ref. 0003720

A+



80%



8,3 kW



150 mm

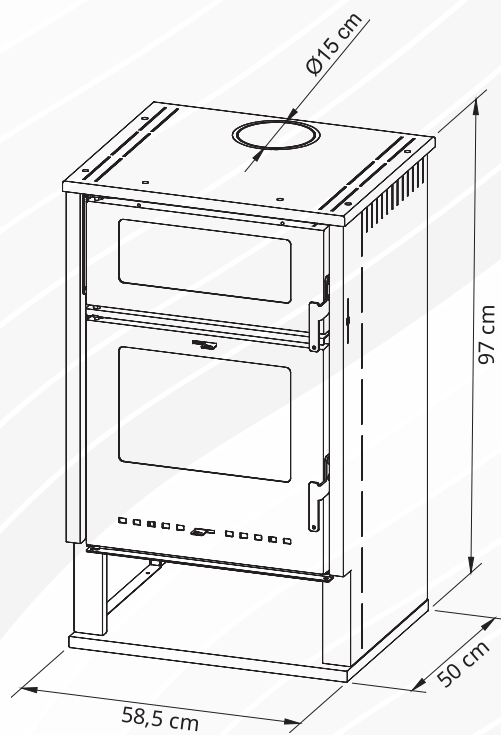


256°C



104 kg

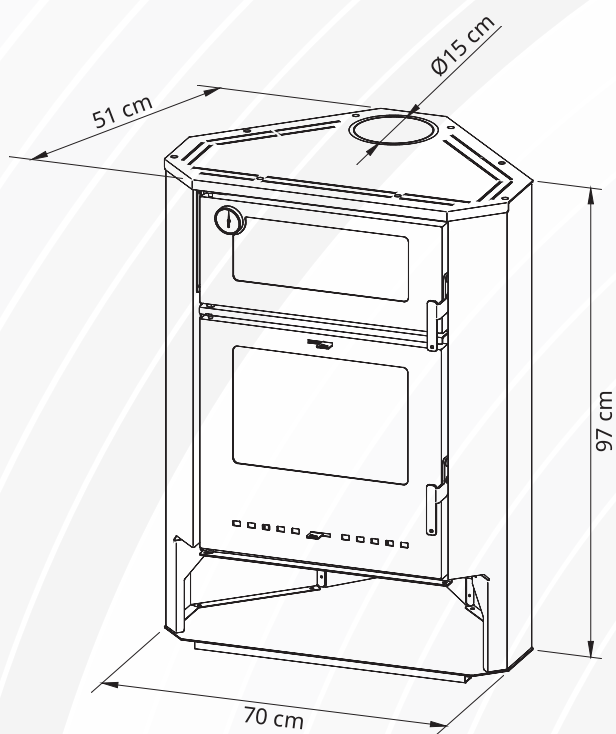
 **ECODESIGN**



Sigma ED



Ref. 0003620



A+



8,3 kW



80%



256°C



150 mm

 ECODESIGN



102 kg

Safira ED



Ref. 0002520

A+



81%



8,3 kW



150 mm

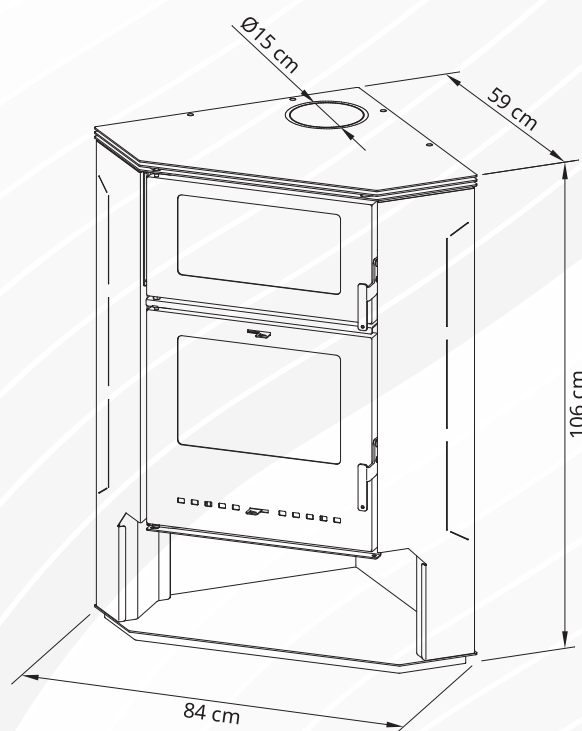


256°C



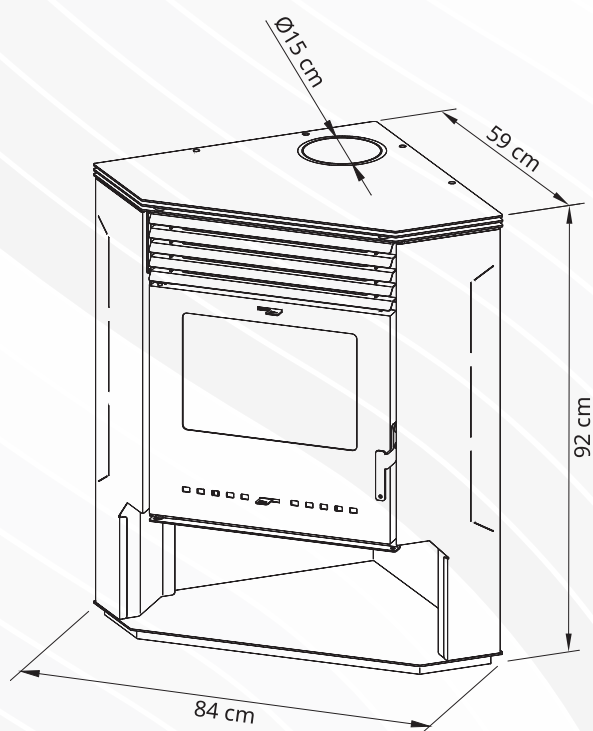
105 kg

 ECODESIGN





Ref. 0002420



A+



8,3 kW



81%



256°C



150 mm

 **ECODESIGN**



97 kg

Olivina ED



Ref. 0002720

A+



81%



8,3 kW



150 mm

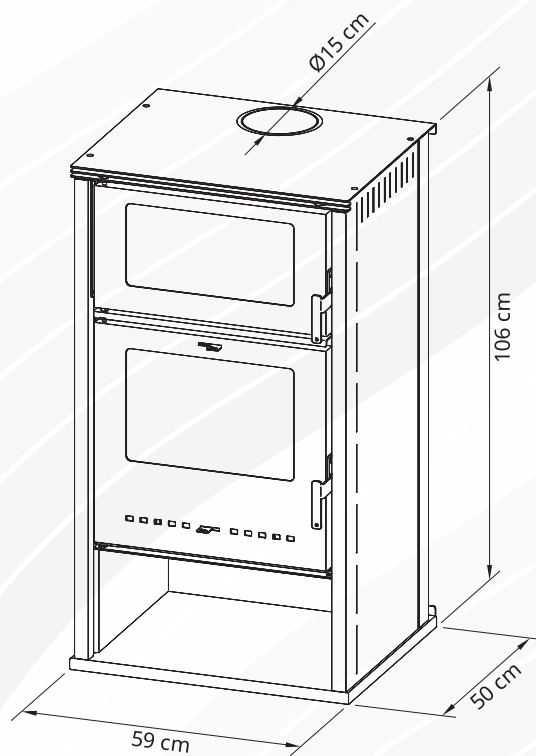


256°C



124 kg

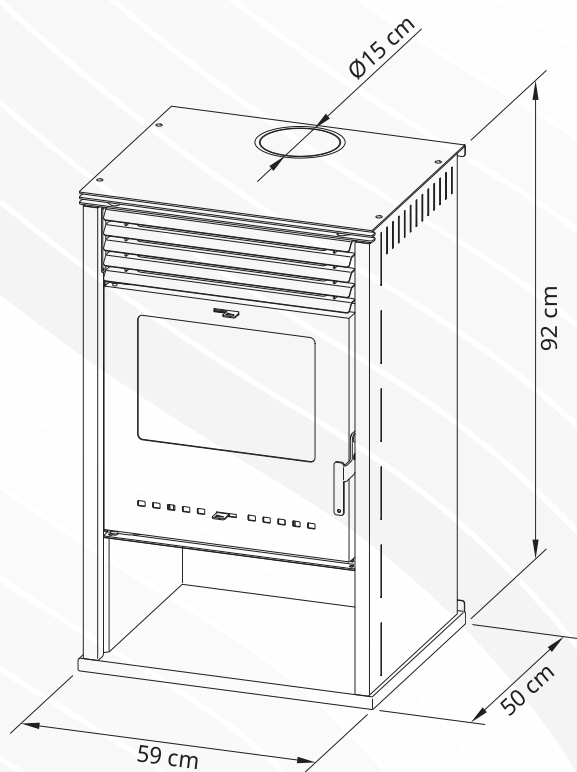
 **ECODESIGN**



Ómega ED



Ref. 0002620



A+



8,3 kW



81%



256°C



150 mm

 ECODESIGN



103 kg

Albita ED



Ref. 0003520

A+



80%



8,3 kW



150 mm

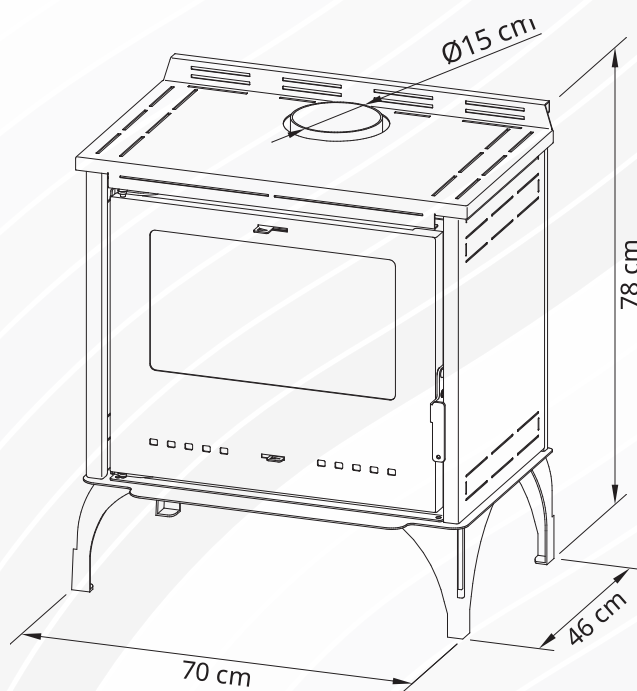


256°C



100 kg

 **ECODESIGN**

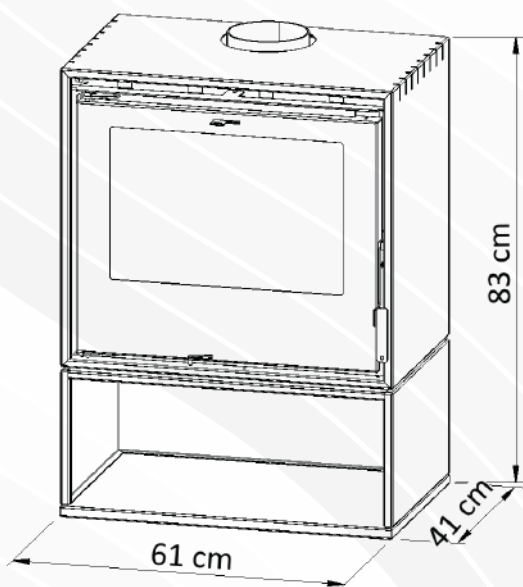




Opala
Ref. 0003400



Opala CL
Ref. 0003450



A+



8,3 kW



80%



256°C



150 mm

 ECODESIGN



103 kg

Rubi ED



REF. 0003350

A+



81%



6,7 kW



150 mm

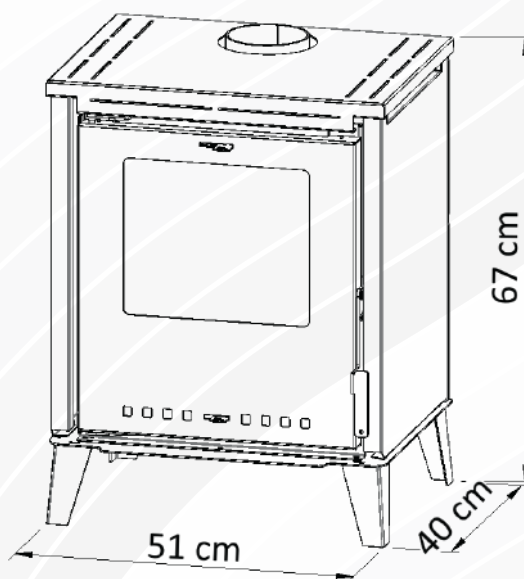


256° C



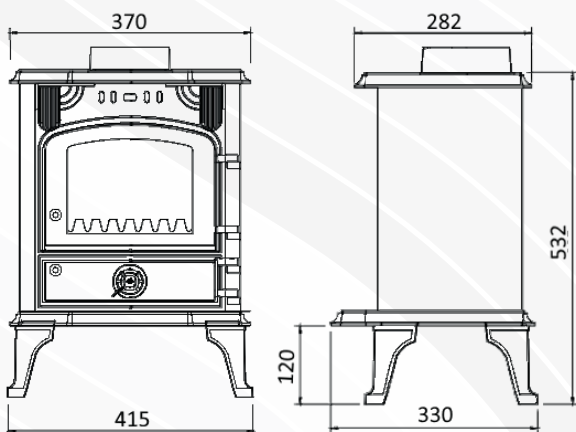
86 kg

 ECODESIGN





Ref. 0004600



A+



4,5 kW



81%



208° C



150 mm



103 kg



Resumo

Vítreo V ED | 22

Vega V ED | 23

Vítreo V ED



Vítreo V70 ED

Ref. 0007470



Vítreo V80 ED

Ref. 0008470



Vítreo V90 ED

Ref. 0009470



A+



81%
81%
80%



10,4 kW
11,1 kW
11,8 kW



180 mm

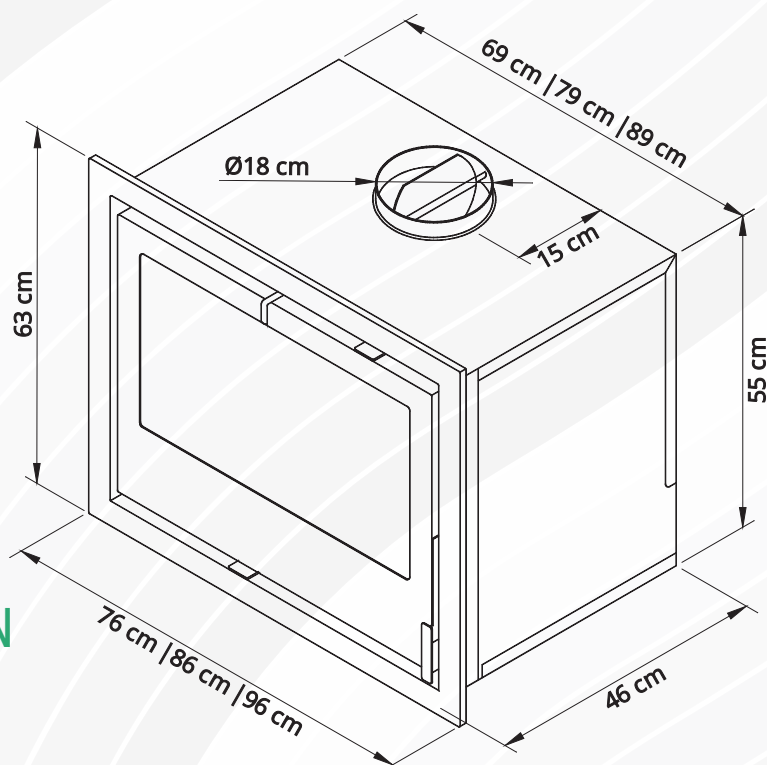


356°C
337°C
324°C



110 kg
115 kg
120 kg

 ECODESIGN



Vega V ED

Vega V70 ED

Ref. 0007370



Vega V80 ED

Ref. 0008370



Vega V90 ED

Ref. 0009370



A+



10,4 kW
11,1 kW
11,8 kW



81%
81%
81%



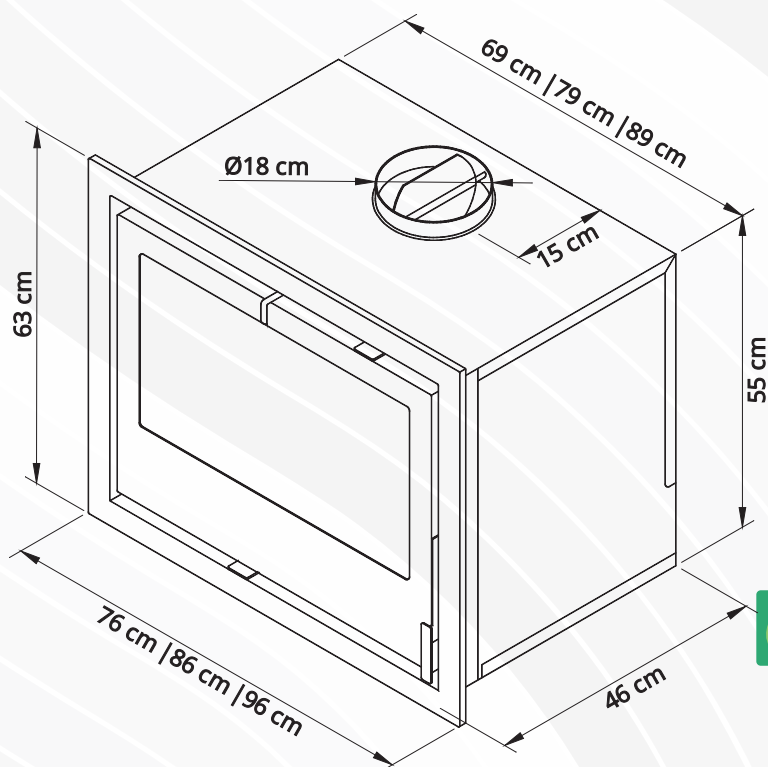
356°C
337°C
324°C



180 mm



110 kg
115 kg
120 kg



 **ECODESIGN**





Resumo

Draco ED | 26

Áquila ED | 27

Draco ED



Draco ED Pr
Cor: Preto
Ref. 1001252



Draco ED Inox
Cor: Inox
Ref. 1001259

Draco ED TmpV Pr
Cor: Preto
Ref. 1001292

Draco ED TmpV Inox
Cor: Inox
Ref. 1001299

A+



81%



8,3 kW



150 mm

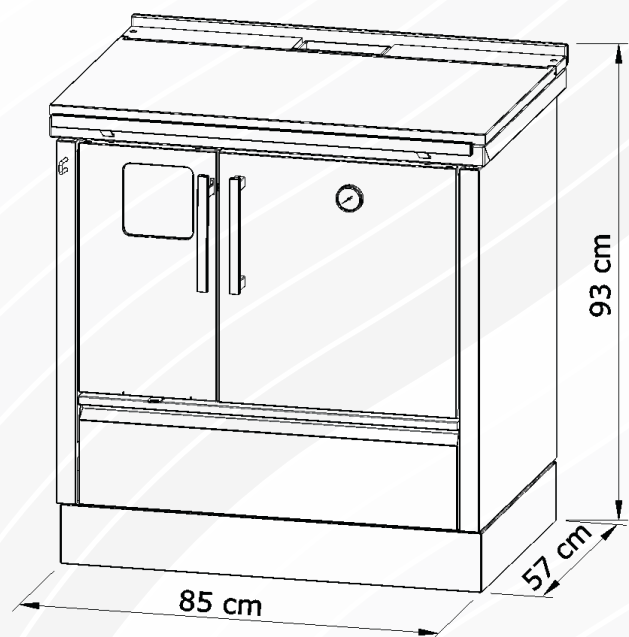


256°C



124 kg

 ECODESIGN





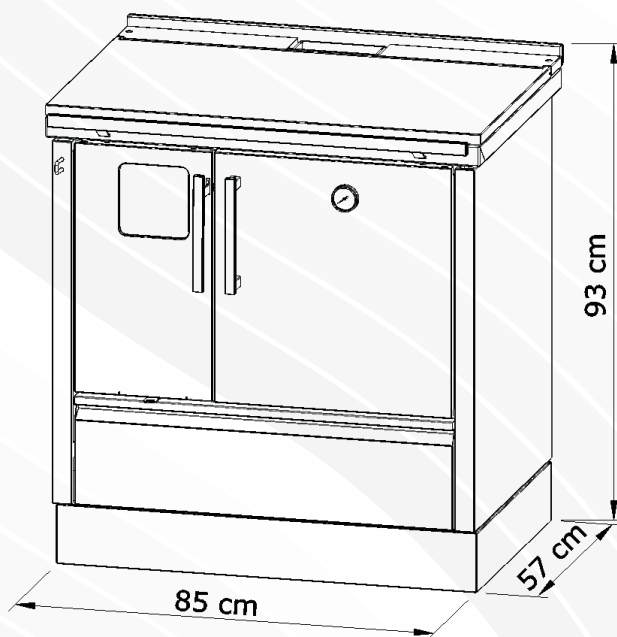
Áquila ED Pr
Cor: Preto
Ref. 1001202



Áquila ED TmpV Pr
Cor: Preto
Ref. 1001242

Áquila ED Inox
Cor: Inox
Ref. 1001209

Áquila ED TmpV Inox
Cor: Inox
Ref. 1001249



A+



8,3 kW



81%



256°C



150 mm



103 kg

Rua Padre António Vieira 65
4505-316 FIÃES
Portugal

Tel.: +351 256 911 281

E-mail geral: alpis@alpis.pt
Site: www.alpis.pt